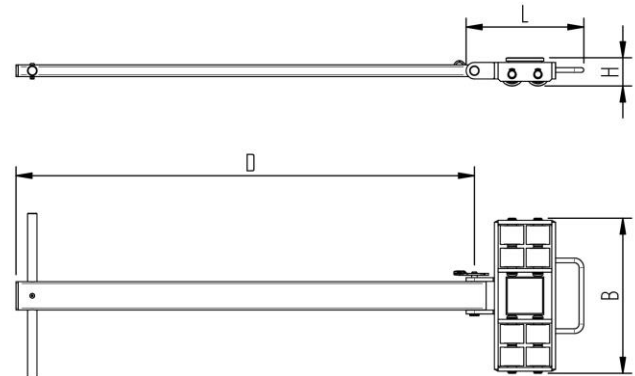
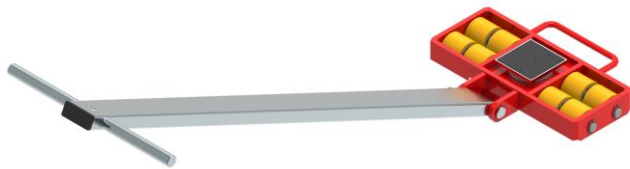


Fact sheet **ECO-Skate** MINI25L

Load moving system, steerable, 3-load points

HTS



Specification:

Heavy-duty load moving system for the professional indoor heavy load transport on clean, smooth and level floors, incl. pulling bar with handle (optionally with grip handle or pulling eye), turntable with anti-slip rubber pad and high-quality HTS 3-component polyurethane wheels, which are abrasion-resistant, cut-resistant and non-marking and suitable for all smooth and level floors with slight unevenness. In combination with one S or two ROTO skates with the same installation height it forms a safe overall system with 3 load points.

Technical data of load moving system:

# 10 025 07 10	75 x 75 mm	5,5 x 37 = 204 mm ² ▼ 15,0 MPa
MAT PU, ST, 93 Shore A	L x B x H 250 x 329 x 60 mm	16,3 cm ²
2500 daN	D = 1000 mm	125 daN*
# 8	11 kg	75 daN*

Equipped with the following wheel:

# 11 050 01 42	5,5 x 37 = 204 mm ² ▼ 15,0 MPa
MAT PU, ST, 93 Shore A	312,5 daN
Ø50x46 - Ø15 mm	V _{max} = 2 km/h



Please always observe the operating instructions, their safety instructions and local conditions!

# Part No.	# Number of wheels	□ Load Area in mm	□ Area mm ² of the roller surface pressure ▼ N / mm ²	→ Traction* in daN, required force to move the load at a steady speed of 2 km/h under ideal conditions
MAT Wheel material layer, core: AL Aluminium, NY Nylon PU Polyurethane, ST Steel	□ Dimensions of wheel, inside ball bearing diameter mm	□ Dimensions in mm L x B x H	□ Loaded area per skate in cm ²	
□ Carrying Capacity of load moving skate in daN at 2km/h max.	□ Weight kg	□ Steering bar length D for L, adjustability V for S and DUO skate systems	□ Starting resistance* in daN, required force to start moving, under ideal conditions	* Varies depending on the tolerances of the floor and ambient situation. All information without guarantee.