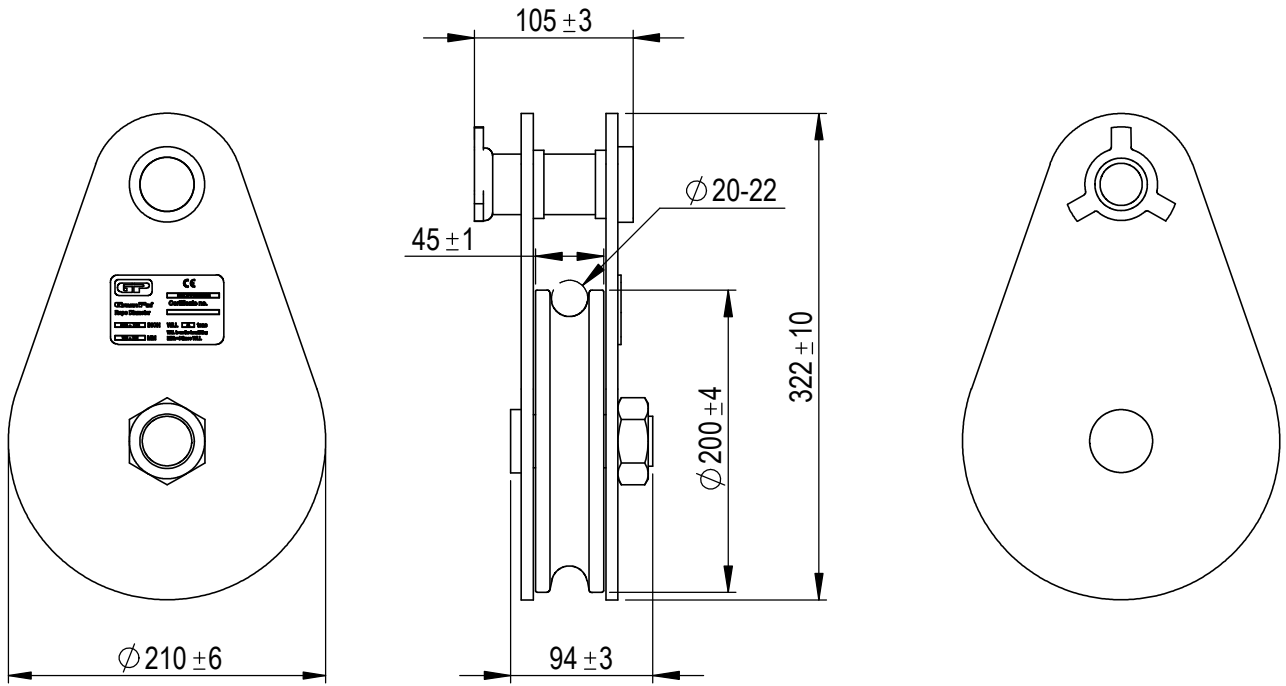


Green Pin® Snatch Block  
 Group : P-6953  
 Part : BKOFFST0808  
 WLL : 8t



We reserve the right to make amendments on specifications in this drawing without prior notification.

Rev.	Description	Date	Drawn
0	First issue	2023-7-5	R.CH

Copyright by Van Beest B.V. moreover this document is the property of Van Beest B.V. This document or any part of it may neither be made known, copied or multiplied, nor used for any purpose other than that for which it is specifically furnished, without the prior written consent of Van Beest B.V.

**Green Pin®**  
 P.O. Box 57, 3360 AB Sliedrecht (The Netherlands)  
 Industrieweg 6, 3361 HJ Sliedrecht  
 Tel. +31(0)184-413300 www.greenpin.com

Format A4  
 Scale 1:5

Title Green Pin® Snatch Block Snatch block type 601T		Remark P-6953 BKOFFST0808		Drawing number 9882	Rev. 0
---	--	---------------------------------	--	------------------------	-----------