

SPARE PART CATALOGUE FOR HOIST CXT50130025P55FLFMS

English/ 783824-0.ORD/ 26.7.2010

HKY77778/O15983/PO106945/-



Read the instructions supplied with the product before installation and commissioning.



Keep the instructions in a safe place for future reference.

Table of content

1	General	3
1.1	Symbols and abbreviations	3
1.2	Spare part order	3
2	Frame	4
3	Rope drum	5
4	Gear	7
5	Hoisting limit switch	8
6	Electric panel	9
7	Motor	10

1 GENERAL

1.1 Symbols and abbreviations

The following symbols are used in the instructions:



Warning!



Caution

1.2 Spare part order



When ordering spare parts please specify:

- spare part number
- description
- product serial number
- complete product type
- date of manufacture



If spare part position is referred on drawing but not on list below contact your spare part supplier.

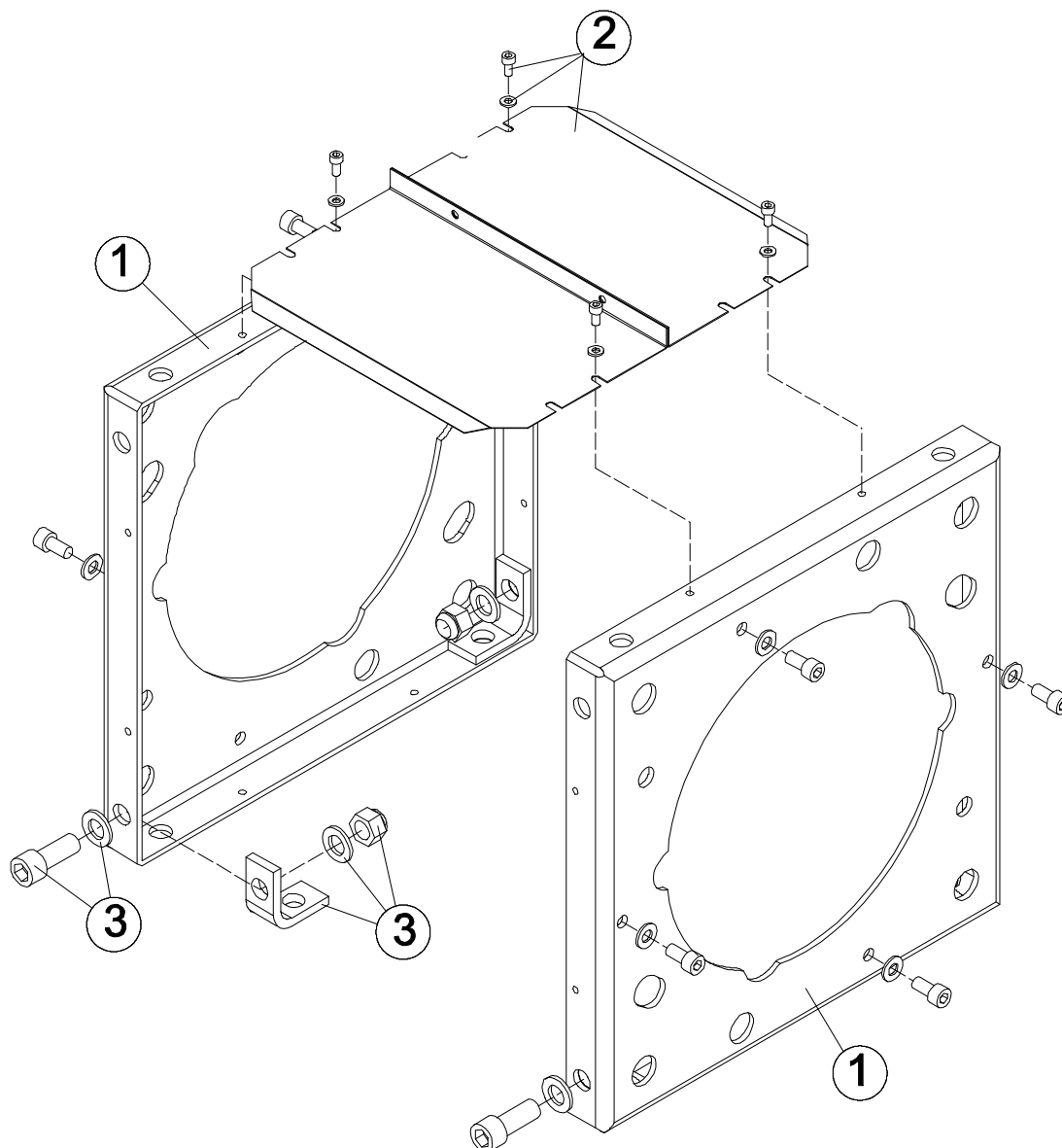


Always use manufacturer's original spare parts



Includes standard model spare parts only! If the hoist is special, use the special drawings to specify spare parts for special assemblies.

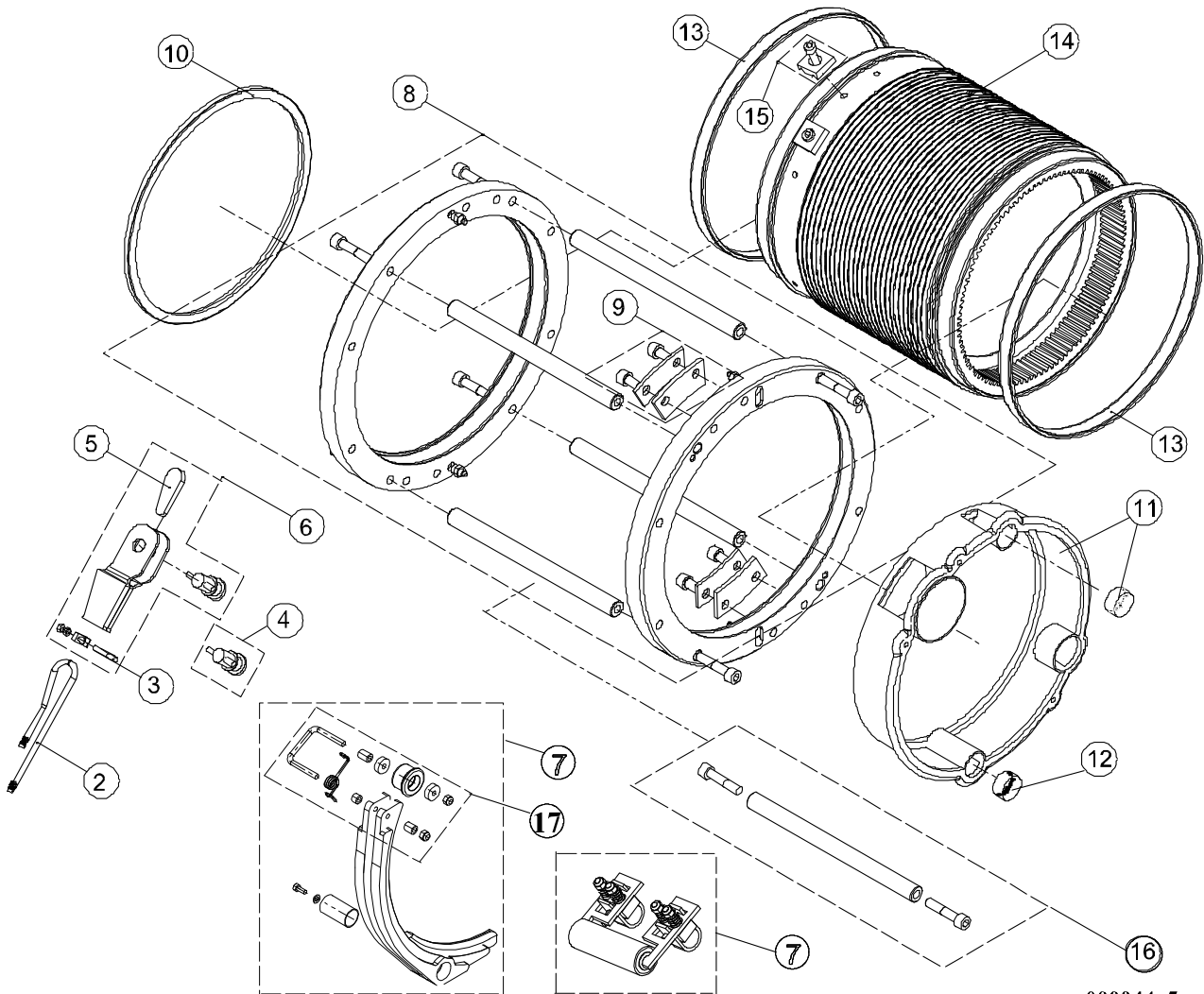
2 FRAME



004633_1

POS.	ITEM	FROM	TO	DESCRIPTION	PCS
1	52299685			END PLATE	2
3	52299703			FIXING SET	1

3 ROPE DRUM



000044_5

POS.	ITEM	FROM	TO	DESCRIPTION	PCS
2	52294943			ROPE	2
3	52315160			ROPE CLAMP	2
4	52293987			SHAFT SET	1
5	50001204			ROPE WEDGE	1
6	52293988			WEDGE HOUSING COMPLETE	1
9	52293991			FIXING SET	1
10	52281213			SEALING	1
11	52297445			COVER SET	1
12	52271523			CAPSULE	1
13	52297446			BEARING	2
17	52394294			ROLLER; GUIDE ROLLER	1



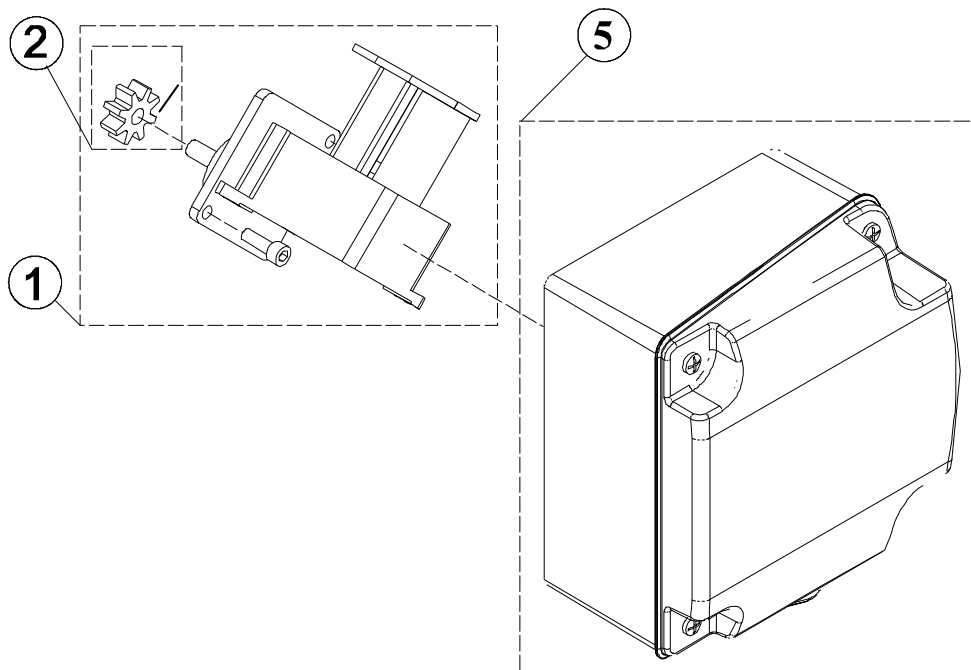
When ordering wire ropes please specify rope length. Original rope length is documented on Wire Rope Certificate.



In two-rope systems (True Vertical Lift), replace both ropes simultaneously. Ensure that both ropes are exactly identical except right/left hand lay.

4 GEAR

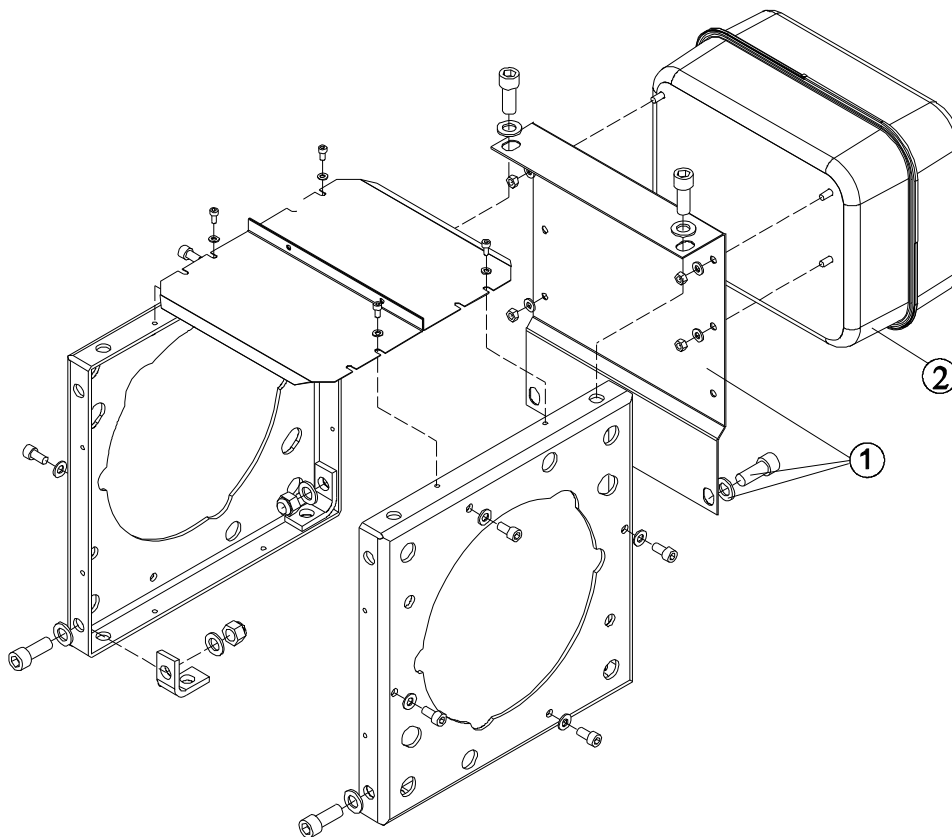
5 HOISTING LIMIT SWITCH



003103_2

POS.	ITEM	FROM	TO	DESCRIPTION	PCS
2	52294042			GEAR WHEEL SET	1
5	52312353			JUNCTION BOX	1

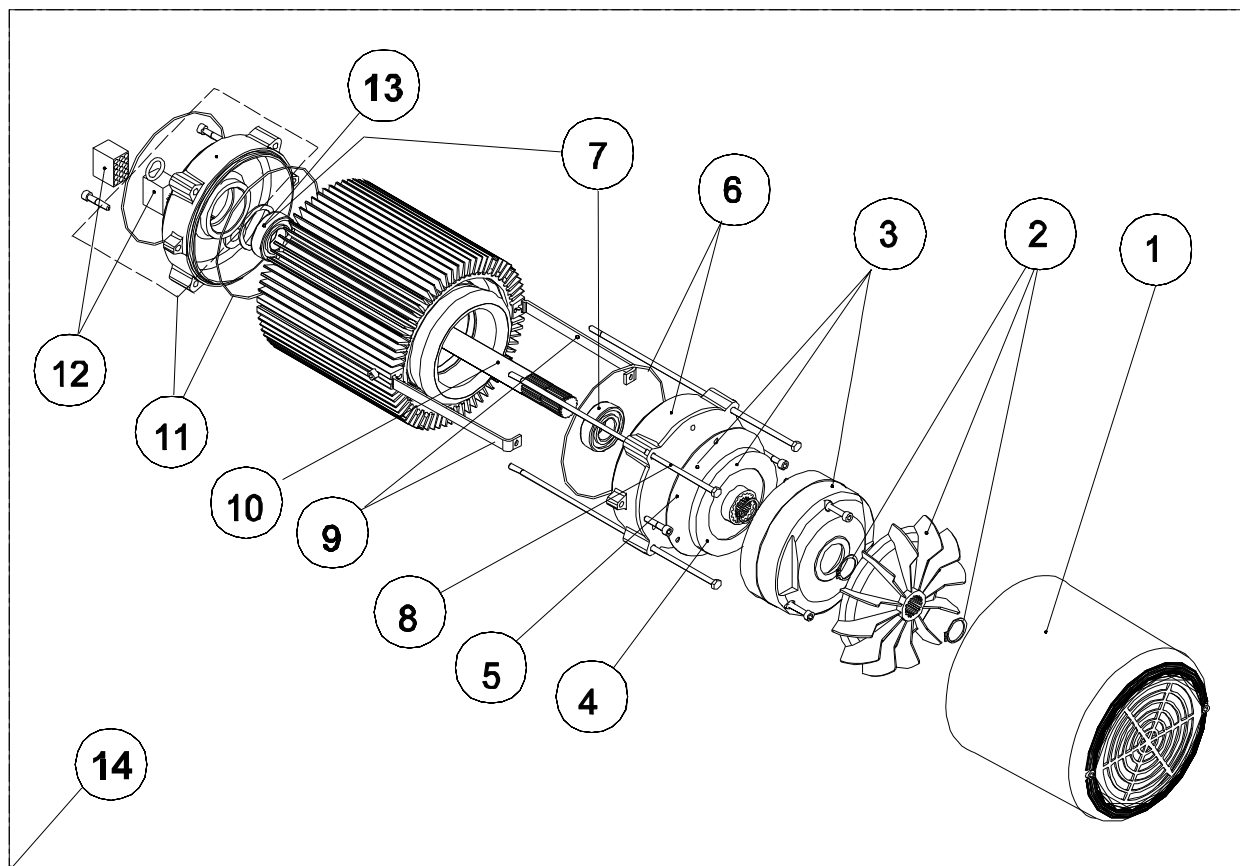
6 ELECTRIC PANEL



004636_1

POS.	ITEM	FROM	TO	DESCRIPTION	PCS
2	--			SEE ELECTRICAL PART LIST!	

7 MOTOR



003133_1



When ordering motors please specify motor serial number

POS.	ITEM	FROM	TO	DESCRIPTION	PCS
1	52292620			COVER; FAN COVER	1
2	52292743			FAN	1
3	52318371			BRAKE	1
4	52314610			BRAKE DISC SET	1
5	52293007			FRICTION DISC	1
6	52292761			FLANGE	1
7	52292745			BEARING SET	1
8	52293909			SCREW SET	1
9	52263115			SUPPORT	1
10	52292749			SHAFT ASSEMBLY	1
11	52292759			FLANGE	1
12	52303467			PLUG	1
13	-			NOT VALID FOR THIS PRODUCT!	
14	->			SPECIFY DEVICE SERIAL NUMBER WHEN ORDERING!	