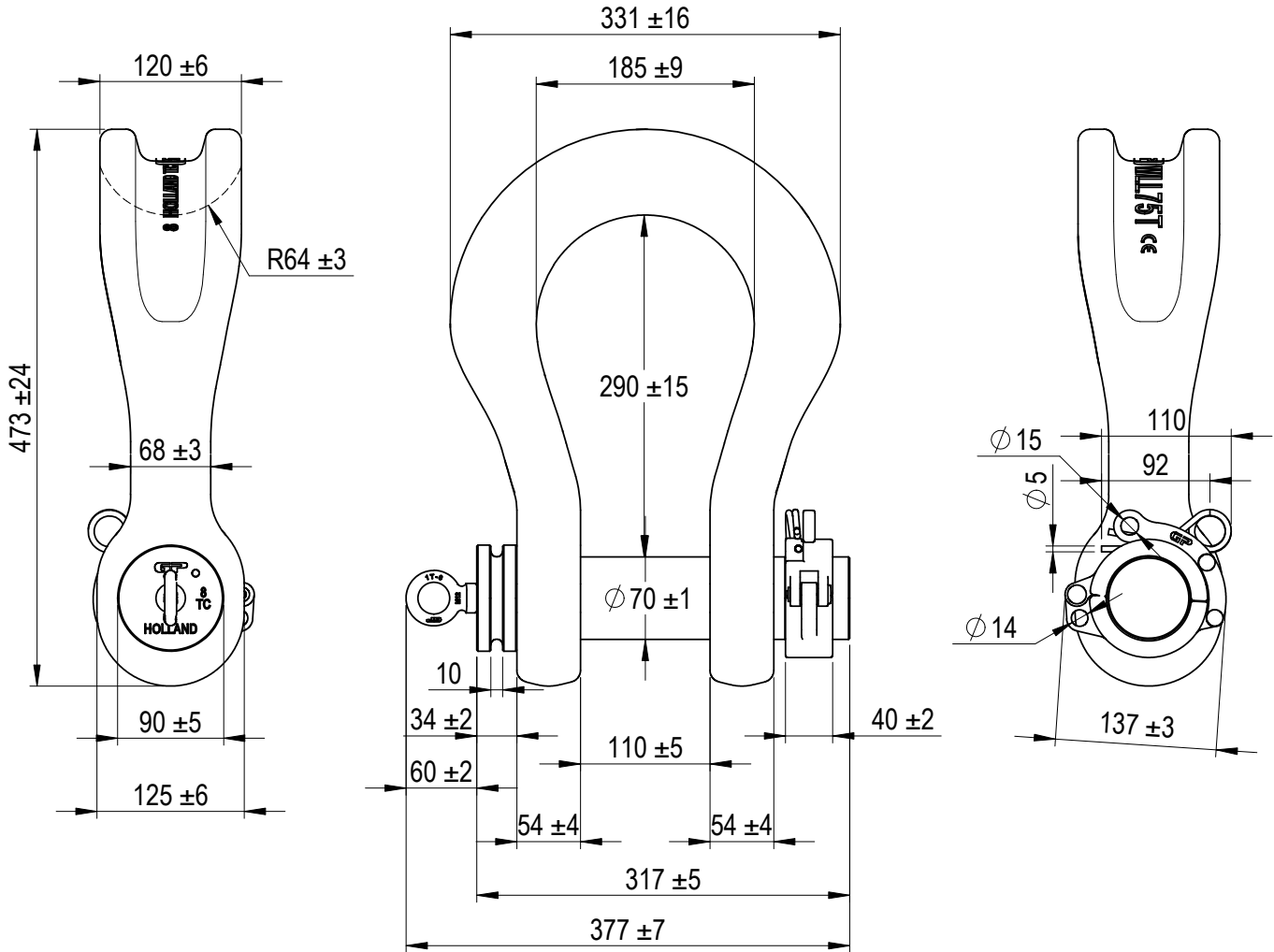
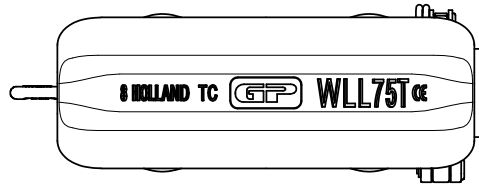


Green Pin® Locking Clamp ROV Sling Shackle

Group : P-6065

Part : SLGPF0075ROVRLLC

WLL : 75t



We reserve the right to make amendments on specifications in this drawing without prior notification.

Rev.	Description	Date	Drawn
O	First Issue	01-07-2021	DL

Copyright by Van Beest B.V. moreover this document is the property of Van Beest B.V. This document or any part of it may neither be made known, copied or multiplied, nor used for any purpose other than that for which it is specifically furnished, without the prior written consent of Van Beest B.V.



Green Pin®
 P.O. Box 57, 3360 AB Sliedrecht (The Netherlands)
 Industrieweg 6, 3361 HJ Sliedrecht
 Tel. +31(0)184-413300 www.greenpin.com

Format	A4	
Scale	1:6	

Title Green Pin® Locking Clamp ROV Sling Shackle Release ROV Sling shackle (grade 8) with locking clamp		Remark P-6065 SLGPF0075ROVRLLC		Drawing number 5575	Rev. O
---	--	---	--	-------------------------------	------------------