

PowerAttack

® Made in Germany

www.PowerAttack.biz

TAGGERT GROUP 

OPERATING MANUAL

FOR PowerAttack MTC 25 C

(MTC 25 C = Maximum Towing Capacity 25 Tons)

Please read and understand this short Operating Manual
before starting to work with PowerAttack and
watch the movie on the website!

TABLE OF CONTENTS

CHAPTER	PAGE
01 General	2
02 Work Principle and Function	2 - 3
03 Scope of Delivery	4 - 6
04 Operation of PowerAttack	7 - 9

01 GENERAL

Thank you for your purchase of PowerAttack MTC 25 C.

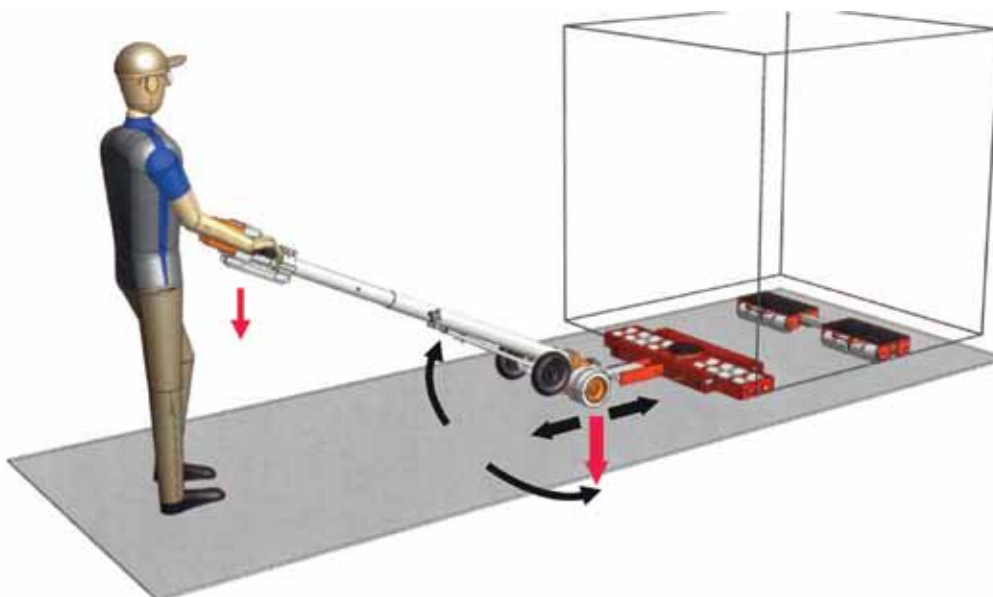
This machine has undergone rigorous in-the-field testing by professional riggers for more than 3 years. It is intended to be used instead of a forklift- truck or tractor to push and pull loads on unpowered skates up to 25 metric tons/55.000 lbs on industrial floors such as concrete, asphalt (tarmac) or industrial floor pavement. Please click and surf www.powerattack.biz to see a number of applications as well as movies to illustrate the proper handling and use of it.

02 WORK PRINCIPLE AND FUNCTION

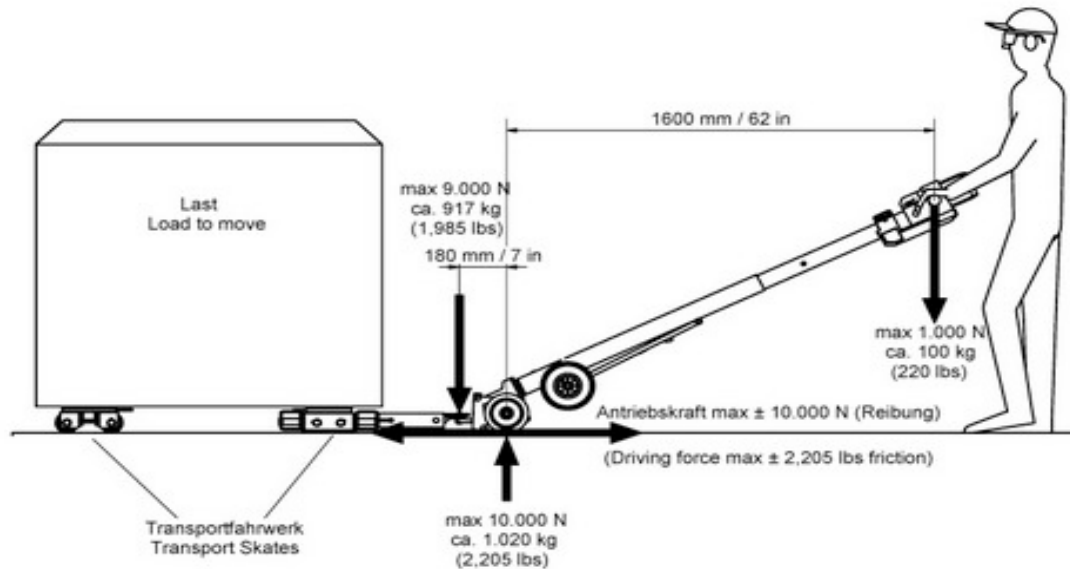
How it works: PowerAttack is a smart tool to help you move loads. The work principles are "Leverage" and "Traction or Grip". To have best results in moving it is recommended that the floor is free of dust or any liquids or grease as this would affect traction. With applying a downward force on the handles you can generate traction on the drive wheels and by pushing the handles downwards you can move the load either forward or backward.

Sometimes it can be helpful to clean the wheels from dust or other debris with a moist cloth or brake cleaner.

Scheme of Work Principle:



PowerAttack Work Principle

**WARNING:**

Before working with PowerAttack, please make sure that only professional and trained, skilled people operate this equipment.

**WARNING:**

Before moving loads make sure to have sufficient space around you and the machine and that there are no workers between the machine and any obstacles (wall, other machine, column or others).

**WARNING:**

Make sure that the load you want to move on skates is secured before and after movement by hardwood wedges to prevent from uncontrolled rolling.

**WARNING:**

PowerAttack is designed to move loads on level, even floors.
You are never to use PowerAttack on slopes or grades!

03 SCOPE OF DELIVERY

POS	NO	TITLE	VERSION
01	1	PowerAttack basic machine	MTC 25 C
02	1	2-wheel folding aux- trolley with magnets („Landing gear“)	
03	1	Height adjustable docking head/load toe	
04	1	Adaptor to connect with gks or Jung skates	

POS 01: PowerAttack MTC 25 C with aux-trolley and Docking head



POS 02: Aux-Trolley

This dolly attaches without screws or bolts by just clamping it on the main tube! It is held in position by a magnet under the main tube.



Installed aux-trolley



Clamping aux-trolley to main



Folding and turning dolly

POS 03: Docking Head/Load Toe

The docking head is inserted onto the 4 bolts. The spindle is intended for height adjustment both for the skates as well as for a convenient working height of the operator.



For pushing a load directly on a transport skate the bolt can be unscrewed.

Or.....you can attach the other adaptor (See photos below)

This adaptor can be helpful when the height of the machine or object to push is higher. Then, unscrew the bolt and screw on this adaptor with provided screw.



POS 04: Adaptor to connect with steerable skate

The pictures below show how the adaptor is connected with the steerable transport skate. After PowerAttack is hooked up to the skate and if there is a load on the skate, the aux-dolly can be folded and turned forward to click to the main tube.



Steerable skate and PowerAttack with adaptor



Dismantled axle of towbar



Adaptor attached to steerable skate



PowerAttack hooked up to steerable skate



WARNING!

Always make sure that the load is placed directly and in full on the transport skate to have best load discharge on the drive wheels of PowerAttack!



Job example: PowerAttack hooked up to a steerable skate with folded aux-trolley moving a container!

04 OPERATION OF PowerAttack

Depending on the weight to be moved you can pre-select 2 operating speeds according to the scheme on the left side of the drive motor. Just push the black button inwards and shift to desired position. If it does not engage properly-start motor to turn teeth of gear box!



1. Gear from 0 up to 4 yards/Minute
2. Gear from 0 up to 11 yards/Minute. The speed is controlled electronically and increases by further pushing the trigger on the front side of the handle.

AS A BASIC RULE WE RECOMMEND: The higher the weight- the lower the speed!

Per switch on the right side handle you can choose the direction for movement-
Forward or Reverse- see pictures below!



The big trigger on the front side of the handle starts the motor.



WARNING:

Always make sure that there are no persons in the direct working environment while operating PowerAttack!

Depending on the weight you want to move and depending on the ground conditions you have to apply a downward force on the handles to generate traction on the drive wheels by simultaneously pushing the trigger for the drive motor. If the downward force is not enough and the load is not moving you can telescope the maintube in 2 increments of 25cm/10 inches to increase leverage.

Loosen the black screw on the main tube and pull out the telescope to the marked position and fasten the black screw again.



WARNING:

Before operating PowerAttack again, make sure this black screw is securely fastened. Otherwise severe damage and injury can result by the turning of the drive motor due to the high torque.

Always stick to caution and safety!



WE ARE ALWAYS EAGER TO LEARN MORE! HINTS FOR IMPROVEMENT, NEW APPLICATIONS. JUST LET US KNOW!

PowerAttack GmbH

Dieselstr. 28

70839 Gerlingen/Germany

or better via e-mail: kjscholpp@PowerAttack.biz



PowerAttack GmbH, Dieselstr. 28, 70839 Gerlingen/Germany

Manufacturer or his authorized representative in Community

Typ: MTC 25 C

Authorised signatory

.....
Date

GB: EU Declaration of Conformity

The undersigned hereby declare that the powered industrial push/pull device described below in detail complies with the European Directives 2006/42/EC (Machinery Directive) including amendments as well as the legislative decree to incorporate the directives in national law. The signatories are in each case individually authorized to compile the technical documents.