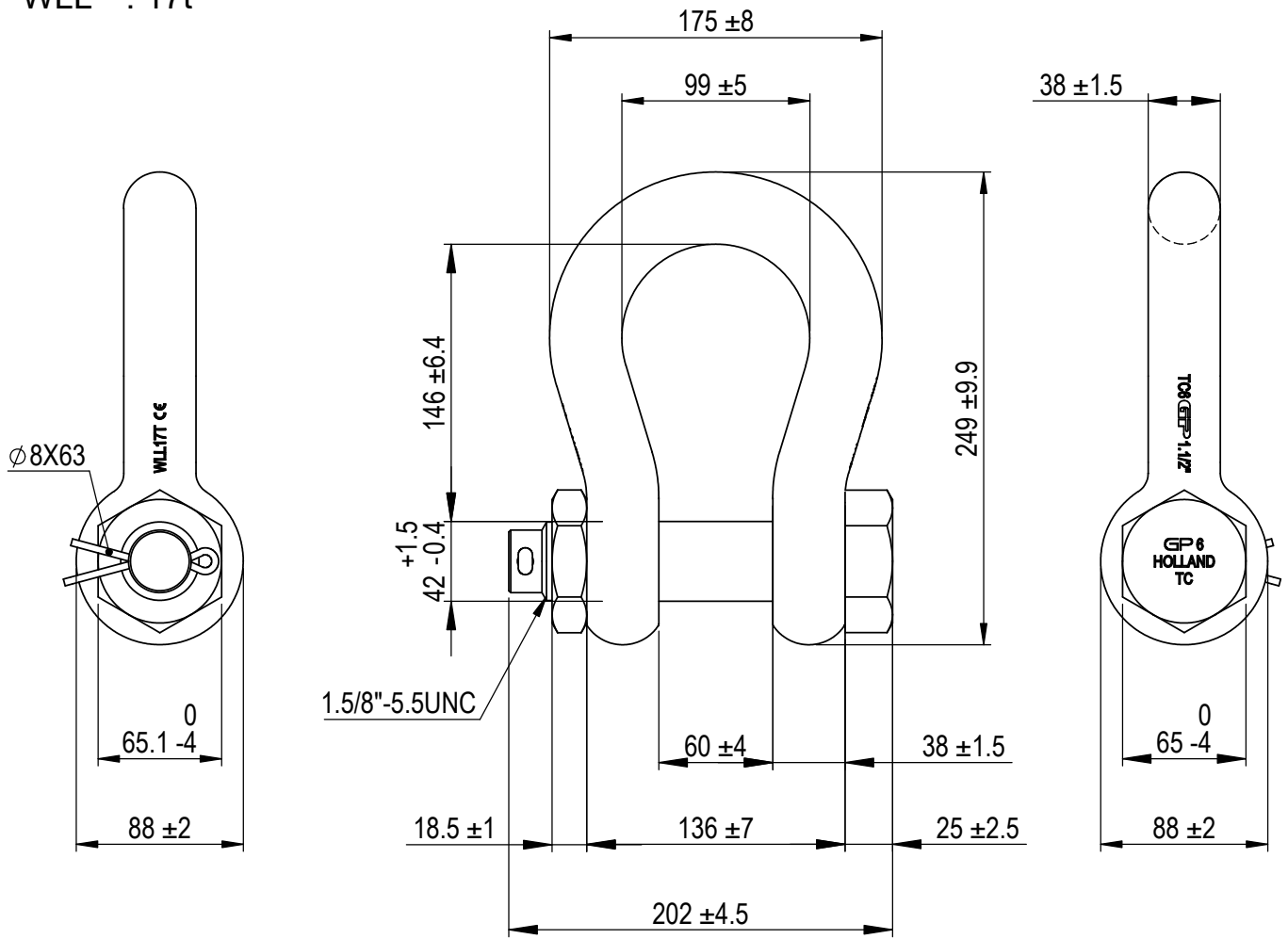


Green Pin® Bow Shackle NS9415 BN  
 Group : G-4163BG  
 Part : GPGHMBHDG38  
 WLL : 17t



We reserve the right to make amendments on specifications in this drawing without prior notification.

| Rev. | Description | Date     | Drawn |
|------|-------------|----------|-------|
| 0    | First Issue | 2022/7/1 | DL    |

Copyright by Van Beest B.V. moreover this document is the property of Van Beest B.V. This document or any part of it may neither be made known, copied or multiplied, nor used for any purpose other than that for which it is specifically furnished, without the prior written consent of Van Beest B.V.



P.O. Box 57, 3360 AB Sliedrecht (The Netherlands)  
 Industrieweg 6, 3361 HJ Sliedrecht  
 Tel. +31(0)184-413300 www.greenpin.com

|                |        |      |   |
|----------------|--------|------|---|
| Format         | A4     |      |   |
| Scale          | 1:3.75 |      |   |
| Drawing number | 6928   | Rev. | 0 |

Title **Green Pin® Bow Shackle NS9415 BN**  
 Standard bow shackle with safety bolt

Remark  
 G-4163BG  
 GPGHMBHDG38